

MAINTENANCE INSTRUCTIONS

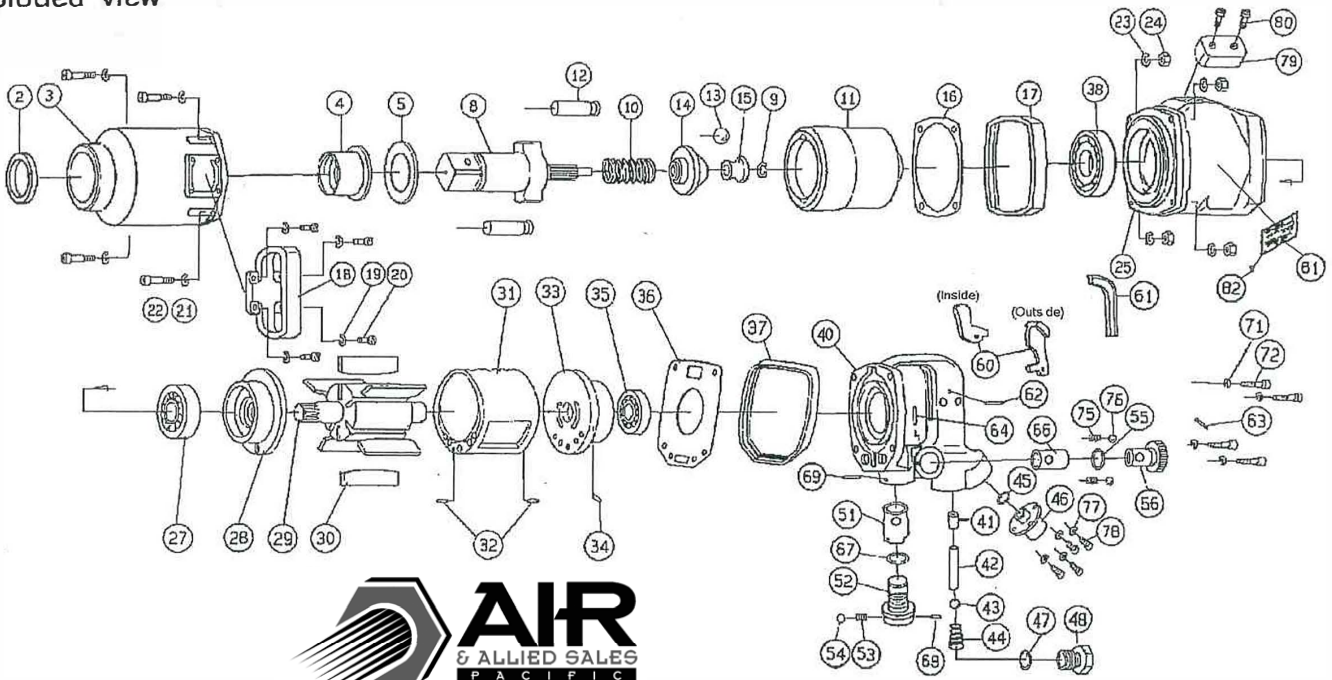
1-1/2" IMPACT WRENCH

MODEL MI-5500

TOKU

TOKU PNEUMATIC PRODUCTS

Exploded view



PARTS LIST MI-5500

Index No.	Parts No.	Description	No. Req'd
2	D050656VB	Oil Seal VB-50656	1
3	D25519370	Clutch Housing	1
4	D25515420	Housing Bushing	1
5	D25515510	Spacer	1
8	D25515A20	Anvil Shank	1
9	D0SW140ST	Retaining Ring	1
10	D25505230	Cam Release Spring	1
11	D25515C80	Cage	1
12	D25505C90	Hammer Pin	2
13	D016110SB	Steel Ball 11/16"	1
14	D25515080	Cam	1
15	D25515D80	Cam Ball Pilot	1
16	D20455350	Clutch Housing Packing	1
17	D20455D50	Protect (F)	1
18	D34308C10	Dead Handle	1
19	D006000SW	Spring Washer M6	4
20	D006180CB	Hex. Socket Button Head Screw M6X18	4
21	D008000SW	Spring Washer M8	4
22	D008450CB	Hex. Socket Button Head Screw M8X45	4
23	D008000SW	Spring Washer M8	4
24	D00800HNN	Hex.Nut M8	4
25	D25519210	Motor Case	1
27	D06206Z00	Bearing 6206Z	1
28	D25515040	Front End Plate	1
29	D25515490	Rotor	1
30	D20455500	Vane	6
31	D20455190	Liner	1
32	D040200SP	Spring Pin 4X20	2
33	D24005050	Rear End Plate	1
34	D040080SP	Spring Pin 4X8	1
35	D06205000	Bearing 6205	1
36	D20455351	Motor Housing Packing	1
37	D20455D51	Protect (R)	1
38	D06010000	Bearing 6010	1
40	D25519D40	Handle	1
41	D10325422	Throttle Valve Bushing	1
42	D10325280	Throttle Push Rod	1
43	D008050GB	Poly-urethane Rubber Ball 5/8"	1
44	D10325232	Throttle Valve Spring	1
45	D001600PR	O-Ring P-16	1
46	D10325424	Air Inlet PT	1
47	D002100PR	O-Ring P-21	1
48	D10325D30	Control Valve Cap	1
51	D10325421	Reverse Valve Bushing	1

Index No.	Parts No.	Description	No. Req'd
52	D10325E11	Reverse Valve	1
53	D20191230	Spring	1
54	D00400USB	Steel Ball 4MM	1
55	D001500PR	O-Ring P-15	1
56	D10325011	Control Valve Knob	1
60	D10325180	Trigger	1
62	D040280SP	Spring Pin 4X28	1
63	D040218NK	Needle Pin 4X21.8	1
64	D040320SP	Spring Pin 4X32	1
66	D10325426	Control Valve Bushing	1
67	D001600PR	O-Ring P-16	1
68	D03008USP	Spring Pin 3X8	1
69	D040320SP	Spring Pin 4X32	1
71	D008000SW	Spring Washer M8	4
72	D008250CB	Hex. Socket Head Cap Screw M8X25	4
75	D10325231	Spring	2
76	D00400USB	Steel Ball 4MM	2
77	D005000SW	Spring Washer M5	4
78	D005150CB	Hex. Socket Head Cap Screw M5X15	4
79	D20505020	Exhaust Rubber	1
80	D003120CB	Hex. Socket Head Cap Screw M3X12	2
81	DTK020000	Name Plate	1
82	D00032PBY	Rivet	4

	D25519110	Clutch Housing CP (Incl. Index No.2,3,4)	(1CP)
	D25519200	Motor Housing Assy (Incl. Index No.25,27, 28,29,30,31,32,33,34,35,38,79,80)	(1ASSY)
	D10455230	Liner CP (Incl. Index No.31,32)	(1CP)
	D24005220	Rear End Plate CP (Incl. Index No.33,34)	(1CP)
	D25519300	Handle Assy (Incl. Index No.40,41,42,43,44,45, 46,47,48,51,52,53,54,55,56,60,61,62,63,64,66,67,68,69, 75,76,77,78) PT	(1ASSY)

MI-5500 Inside Trigger

Index No.	Parts No.	Description	No. Req'd
46	D10325427	Air Inlet NPT	1
	D10325424	Air Inlet PT	1
60	D23215180	Trigger	1
61	D23215A90	Rubber	1
	D2551A300	Handle Assy (Incl. Index No.40,41,42,43,44,45, 46,47,48,51,52,53,54,55,56,60,61,62,63,64,66,67,68, 69,75,76,77,78) NPT	(1ASSY)
	D2551C300	Handle Assy (Incl. Index No.40,41,42,43,44,45, 46,47,48,51,52,53,54,55,56,60,61,62,63,64,66,67,68, 69,75,76,77,78) PT	(1ASSY)